

USER MANUAL

SRMINI INTIMIDATOR II

Thank you for purchasing Olight products! Please read this manual carefully before use.

INSIDE THE BOX

Flashlight, holster, USB cable, user manual (this manual), and other optional accessories(refer to the label marks outside of box for detail)

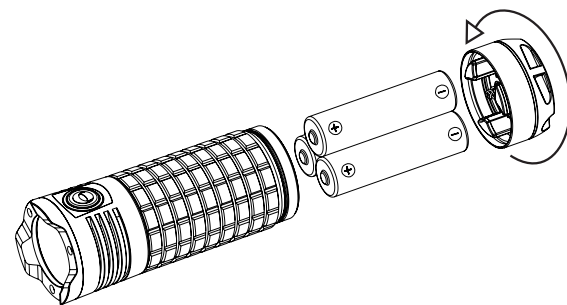
SUPPORTED BATTERIES

3 x 18650 rechargeable lithium batteries with protecting circuit board , the batteries must have a protruding button on positive pole.

OPERATION INSTRUCTION

⚡ BATTERY INSTALLATION

Before use, install the batteries and notice that the battery positive towards the flashlight head, then tightly screw the tail-cap as shown below.



⚡ TURN ON/OFF

Quick click the side switch to turn the flashlight on or off. The light will turn to the last output mode before shutting off.

⚡ CHANGE BRIGHTNESS LEVELS

With the light on, press and hold the side switch, the output will cycle through low, medium, and high brightness levels. Release the side switch when the desired brightness level is achieved.

⚡ LOW MODE

With light off, press and hold the side switch for more than 1 second, the low mode will be activated.

⚡ TURBO MODE

Double-click the side switch to activate turbo mode if the light is in non-locking state.

⚡ STROBE MODE

When the light is in non-lock state, Triple-click side switch to activate strobe mode. Click the side switch once to quit strobe mode, press and hold side switch to turn on the setting of changing brightness level.

⚡ LOCK MODE

With the light off, press the side switch and hold for 1 second to activate low mode, keep holding the switch for one more second, the light will shut off automatically and lock the side switch. Under lock state, click and release the switch, the red indicator will last for 2 seconds.

⚡ UNLOCK MODE

When the light is off, press and hold side switch for more than 2 seconds, the switch is enable and activate low mode. User may twist the tail cap anti-clockwise to turn off the light, tighten the tail cap clockwise to unlock the light.

⚡ STATUS INDICATOR

There is a multi-purpose status indicator lamp at the upside of the USB charging port to indicate the battery low voltage or charging state.

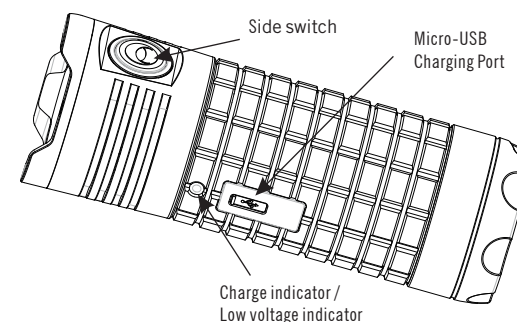
Battery low voltage indication: When the battery voltage is less than 3.25V, the status indicator lamp will flicker in red; when the battery voltage is less than 3.05V, the status indicator lamp will be a constant red.

Charging state indication: red means under charging; green means fully charged.

⚡ BATTERY CHARGE

Firstly, slide the USB port cover aside, then connect the flashlight to external USB power supply, the status indicator turn on means charging is in process.

NOTE: One of the following output modes low, medium, high, will be memorized when the light shutting off. The flashlight will not memorize the low mode when the light is activated to low mode directly before it is turned off. For high mode, the light will only memorize high mode for 10 minutes when the light is off, after 10 minutes the memorized mode will switch to medium mode.



WARNING:

Do not mix rechargeable and non-rechargeable batteries. Do not mix batteries of different types/brands.

Properly install the batteries, the positive of battery towards the head of the flashlight, three batteries are in same direction.

The product only support the batteries with protruding button on the positive and with protecting circuit board, recommend to use the battery cell capacity of 18650 with 3000mAh or above.

Low battery protection: if the battery voltage drop down to 2.7V, the flashlight will not turn on, the indicator will emit red color when the switch is pressed.

Use caution for long runtimes at high level and turbo as flashlight may get hot.

Three batteries are parallely connected inside the flashlight, either 1 or 2 or 3 batteries are able to turn the flashlight on, it is better not to use Turbo when using 1 or 2 batteries, it may cause to suddenly shut down due to battery protection.

Please choose 5V 2.1A USB power supply or higher rate power supply to charge the flashlight.

SPECIFICATIONS

	TURBO	3,200 lumens
Output	HIGH	1,600 lumens / 3 hours
	MED	600 lumens / 8 hours
	LOW	120 lumens / 36 hours
	STROBE	10Hz
LED	3xCree XM-L2 CW	
Operate Voltage	2.8 to 6v	
Candela	18,000cd	
Beam Distance	268 meters	
Supported Batteries	3 x 18650 (with protecting circuit board)	
Material	Type III hard anodized aluminum	
Water-proof	IPX8	
Impact Resistance	1.5 meters	
Dimensions	L 132mm x D 47.5mm / 5.2in x 1.9in	
Weight	181g / 6.4oz (excluding batteries)	

Note: Tests performed with 3x18650 batteries (3400mAh, 3.6v)

All performance claim to ANSI/NEMA FL1-2009 standard

WARRANTY

Within 30 days of purchase: Return to retailer from which you purchased for repair or replacement.

Within 5 years of purchase: Return to Olight for repair or replacement. This warranty does not cover normal wear and year, modifications, misuse, disintegrations, negligence, accidents, improper maintenance, or repair by anyone other than an Authorized retailer or Olight itself.

CONTACT

Technical support: techsupport@olightworld.com

Customer service: cs@olightworld.com

Website: www.olightworld.com



Olight Technology Co., Limited
2/F, Building A, B3 Block, Fuhai
District, Industrial Park, Fuyong,
Bao'an Shenzhen, China 518103

V2. 2015.10.20



Made in China

