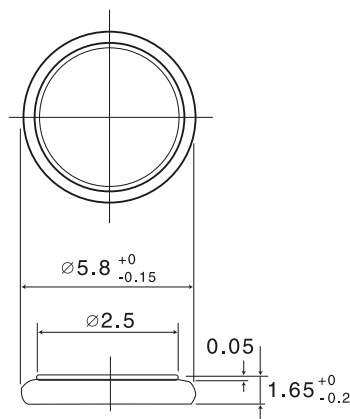


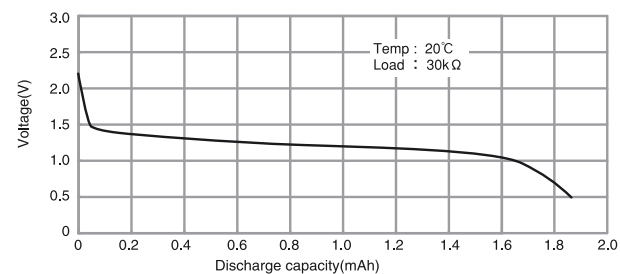
MT-516



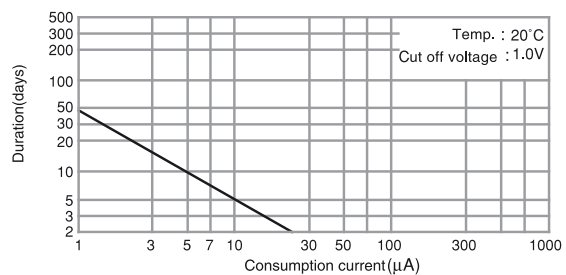
SPECIFICATIONS

Name	MT-516
Nominal voltage (V)	1.5
Nominal capacity (mAh)	1.8
Continuous drain (mA)	0.04
Operating temperature (°C)	-10 to +60
Weight (g)	0.15

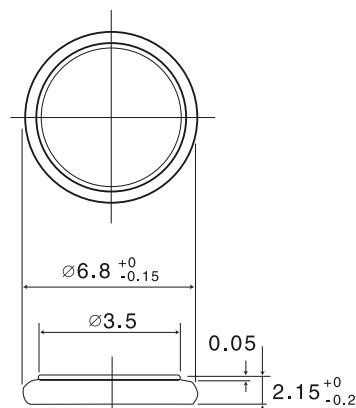
DISCHARGE CHARACTERISTICS



CONSUMPTION CURRENT VS. DURATION TIME



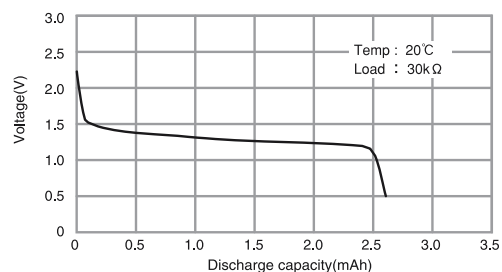
MT-621



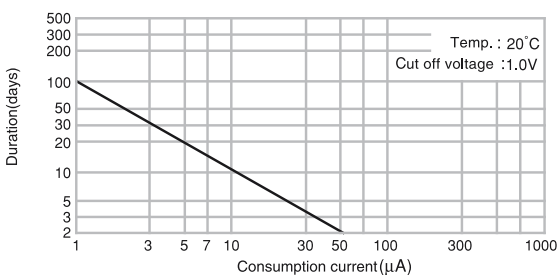
SPECIFICATIONS

Name	MT-621
Nominal voltage (V)	1.5
Nominal capacity (mAh)	2.5
Continuous drain (mA)	0.04
Operating temperature (°C)	-10 to +60
Weight (g)	0.25

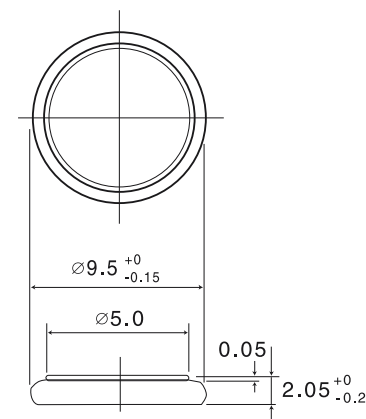
DISCHARGE CHARACTERISTICS



CONSUMPTION CURRENT VS. DURATION TIME



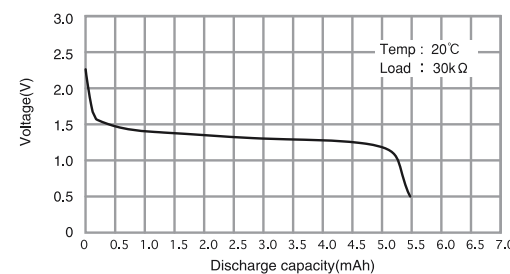
MT-920



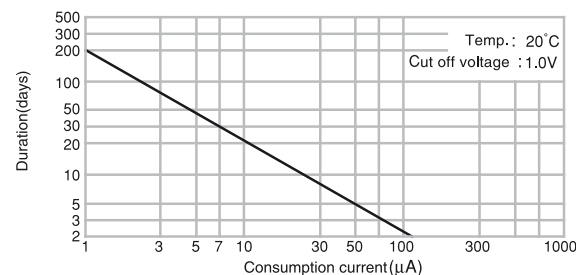
SPECIFICATIONS

Name	MT-920
Nominal voltage (V)	1.5
Nominal capacity (mAh)	5.0
Continuous drain (mA)	0.04
Operating temperature (°C)	-10 to +60
Weight (g)	0.50

DISCHARGE CHARACTERISTICS



CONSUMPTION CURRENT VS. DURATION TIME



DISCHARGE TEMPERATURE CHARACTERISTICS

